

PERSPECTIVE



FROM THE OFFICE:
Catholic Relief Services

PROJECT TITLE:

PAGE TITLE:
TAKLUB TRANSITIONAL SHELTER DESIGN

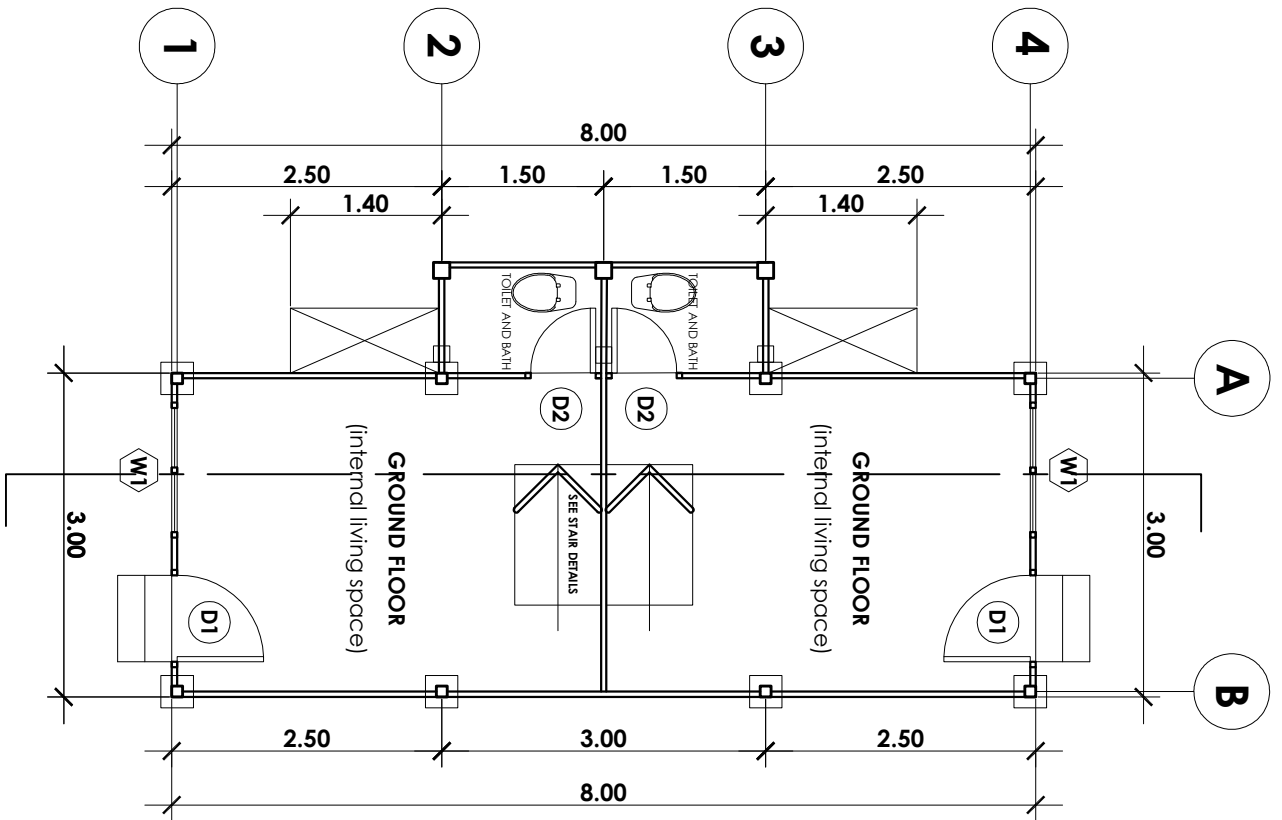
PREPARED BY: **A.F. BELENA**
 NOTED BY:

APPROVED BY:

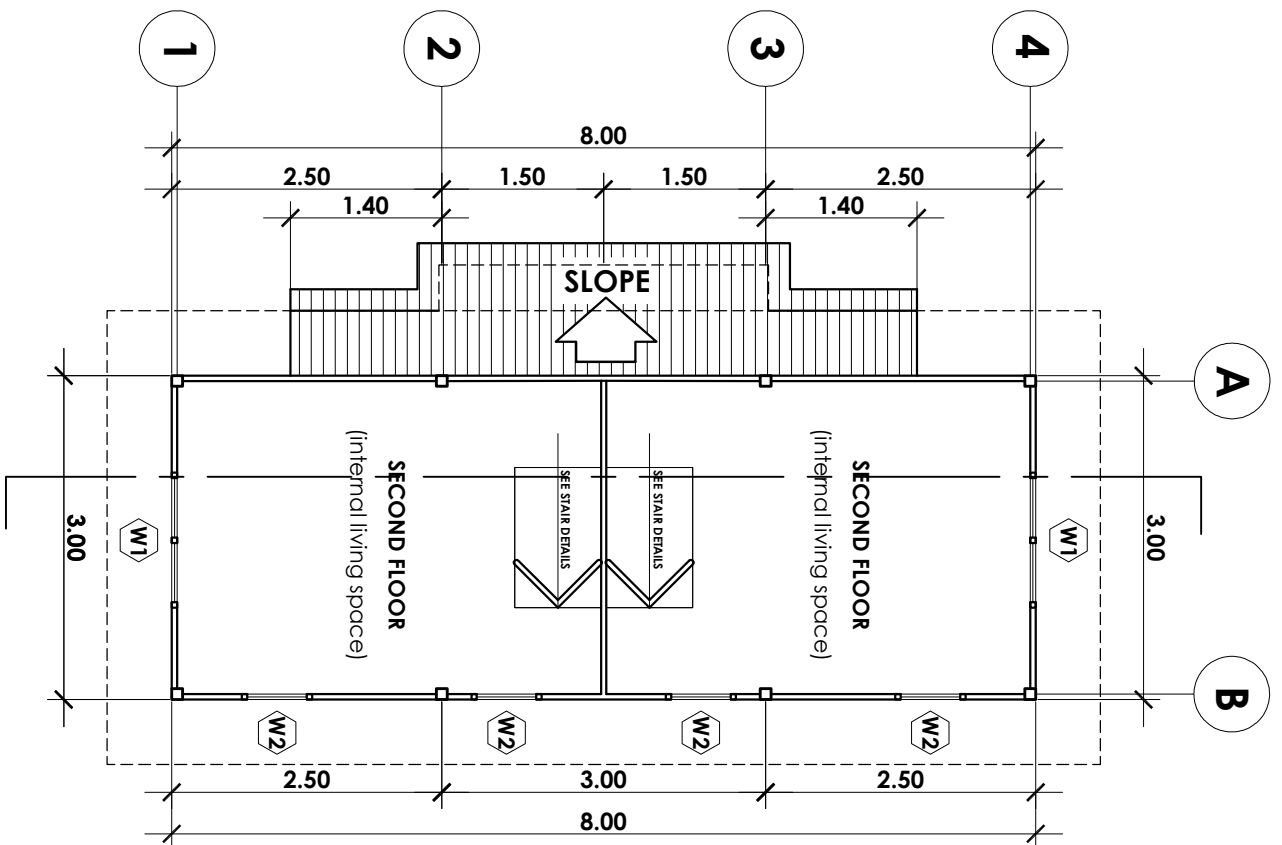
SHEET CONTENTS
 AS INDICATED

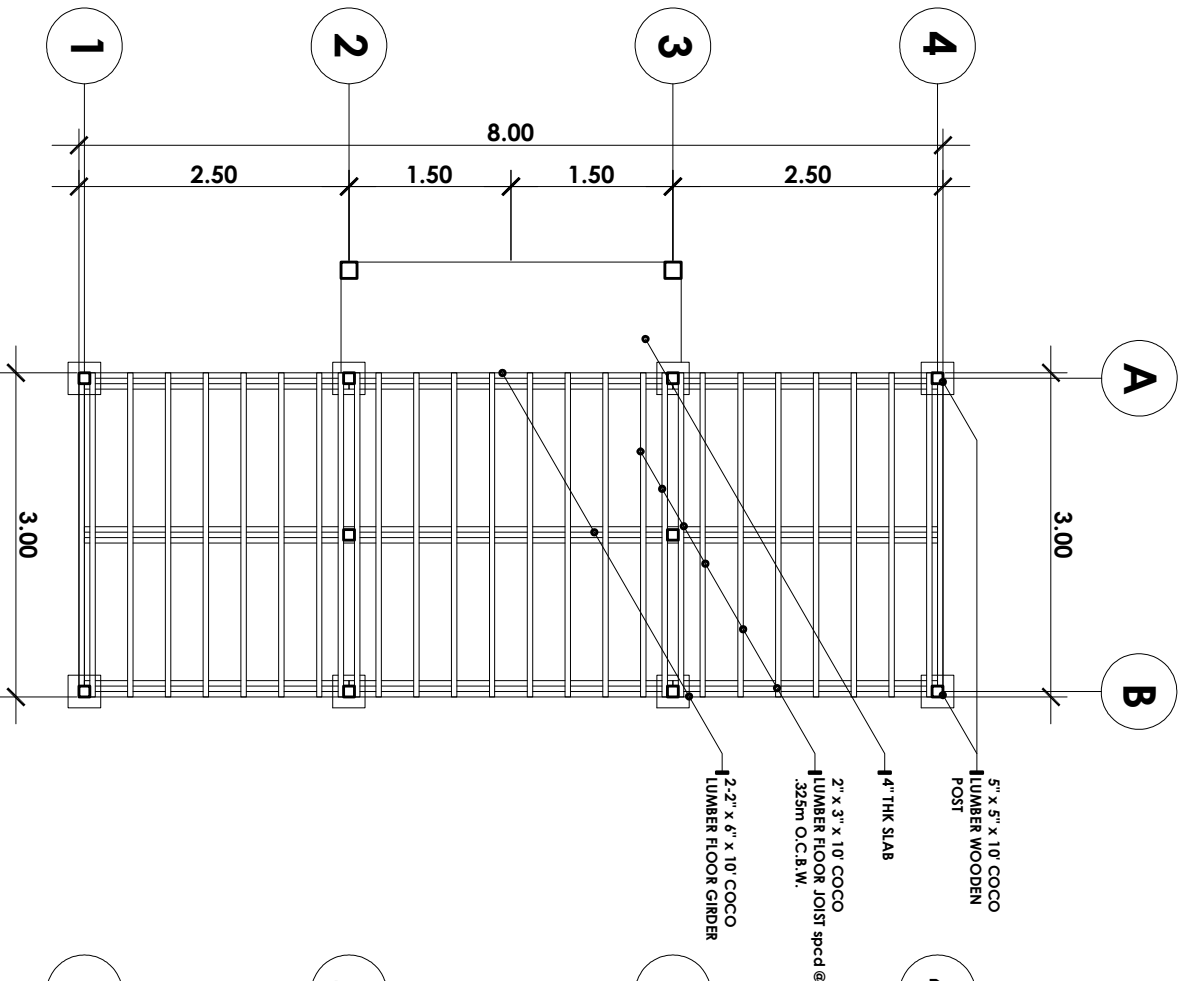
A
 SHEET NO:
0 0

A GROUND FLOOR PLAN
 SCALE 1:70
 METERS

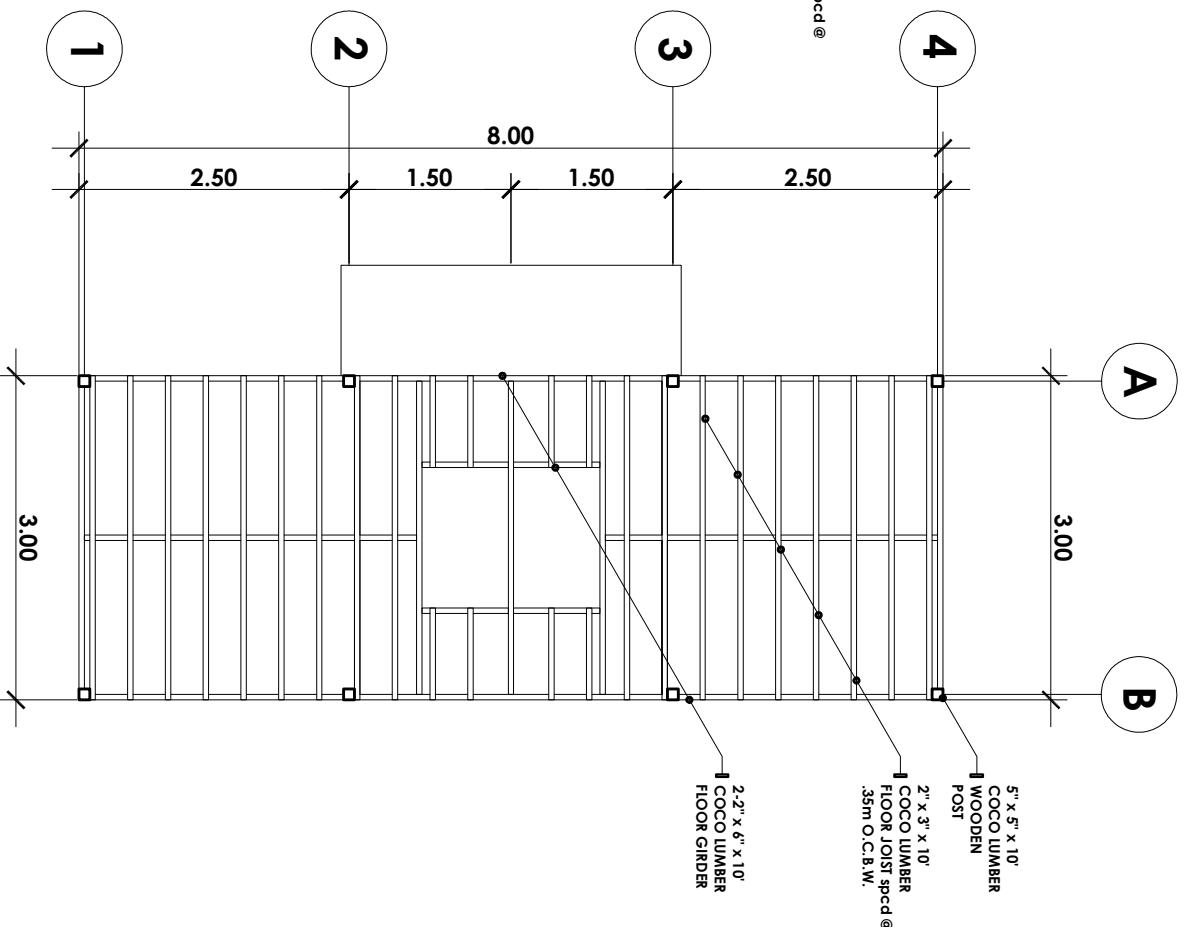


A SECOND FLOOR PLAN
 SCALE 1:70
 METERS





A GROUND FLOOR FRAMING PLAN
SCALE 1:70 METERS



A SECOND FLOOR FRAMING PLAN
SCALE 1:70 METERS



FROM THE OFFICE:
Catholic Relief Services

PROJECT TITLE:

PAGE TITLE:
TAKLUB TRANSITIONAL SHELTER DESIGN

PREPARED BY:
A.F. BELENA

APPROVED BY:

SHEET CONTENTS
AS INDICATED

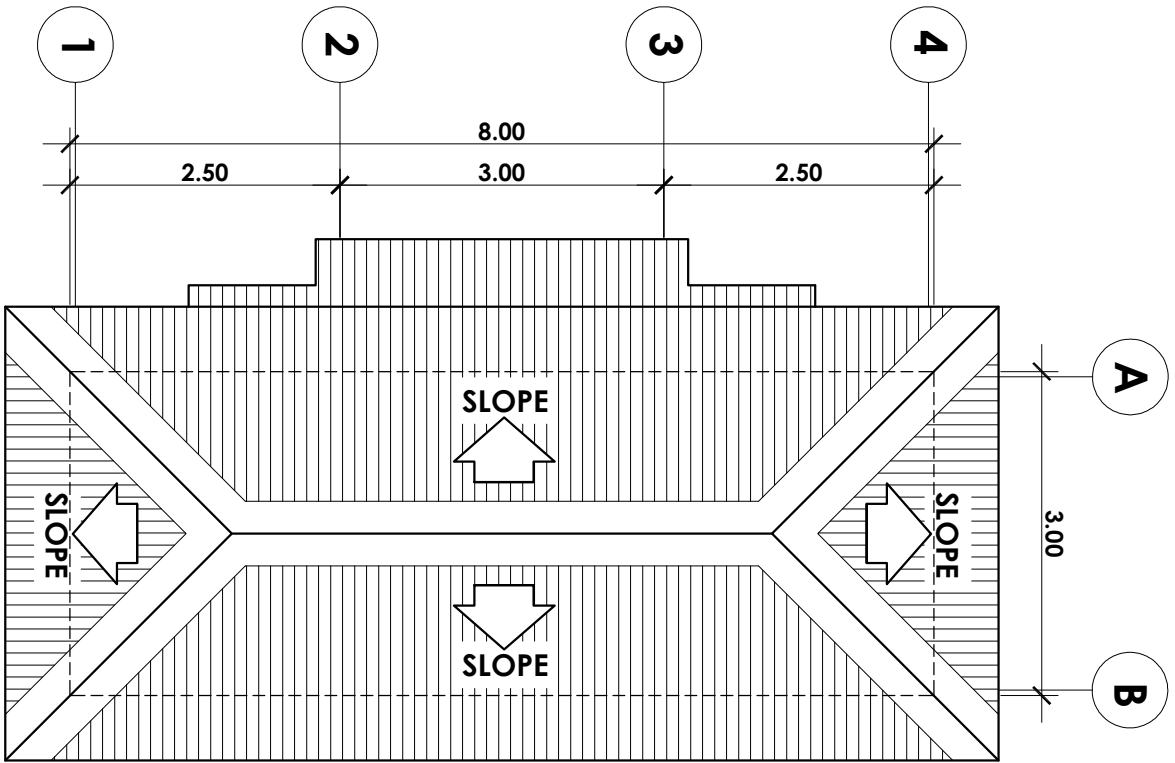
A

TAJALUBU, BILAL, SURYATI | DESIGN DRAFT | NOVEMBER 28, 2015

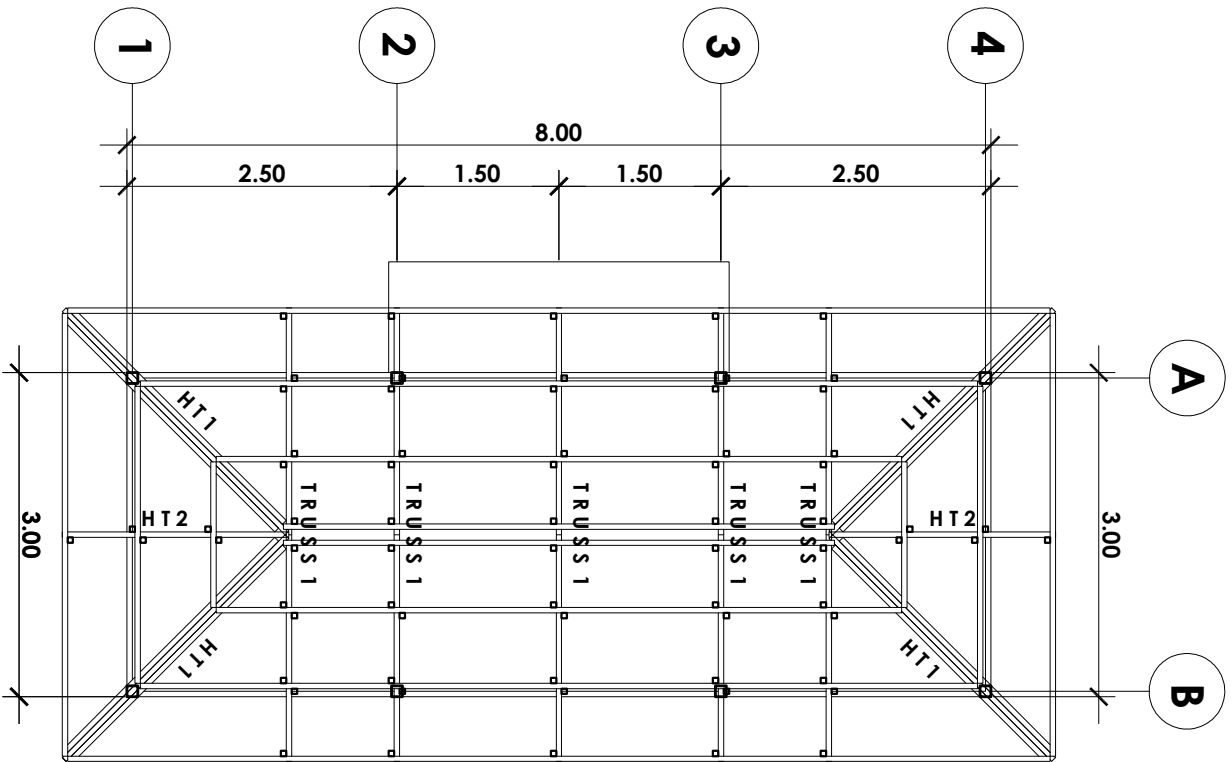
SCALE: 1:70 METERS

NOTED BY:

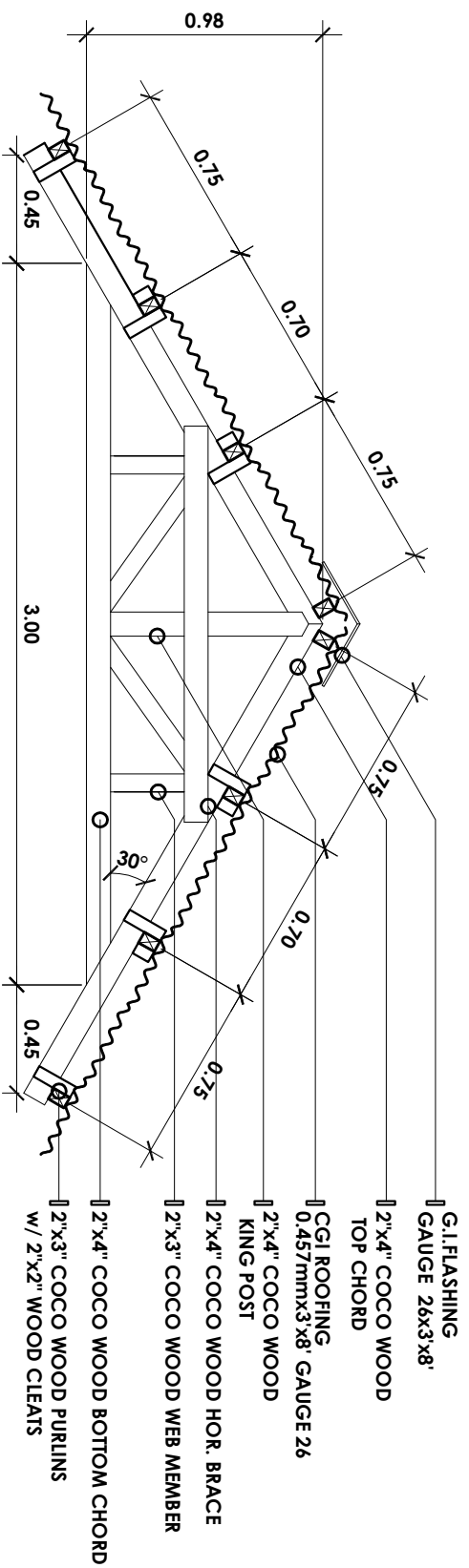
SHEET NO:
0 0



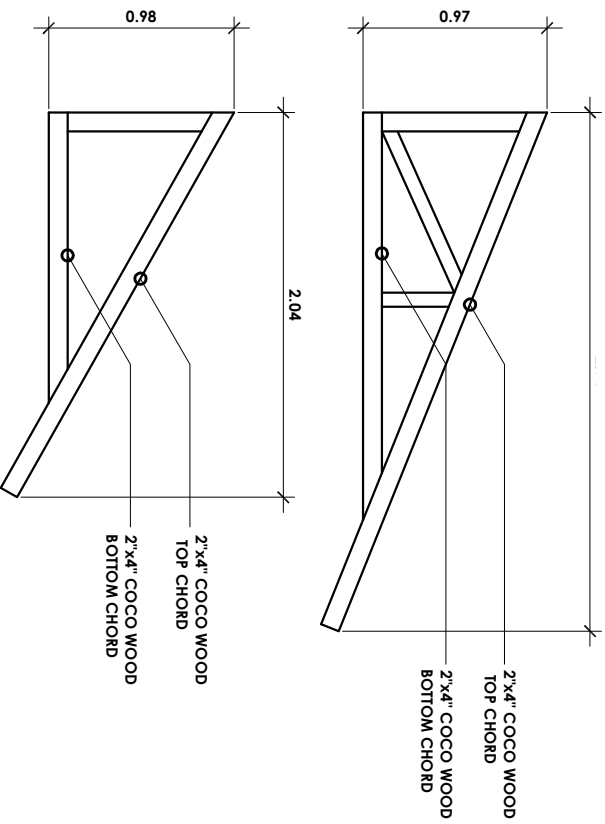
A ROOF PLAN
SCALE 1:70 METERS



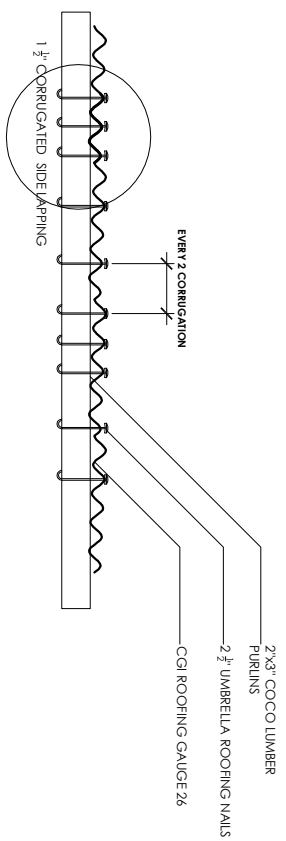
A ROOF FRAMING PLAN
SCALE 1:70 METERS



A TRUSS DETAILS
SCALE 1:70 METERS



A HALF TRUSS DETAILS
SCALE 1:40 METERS



A ROOF CONN. DETAILS
SCALE 1:40 METERS



FROM THE OFFICE:
Catholic Relief Services

PROJECT TITLE:

PAGE TITLE:
TAKLUB TRANSITIONAL SHELTER DESIGN

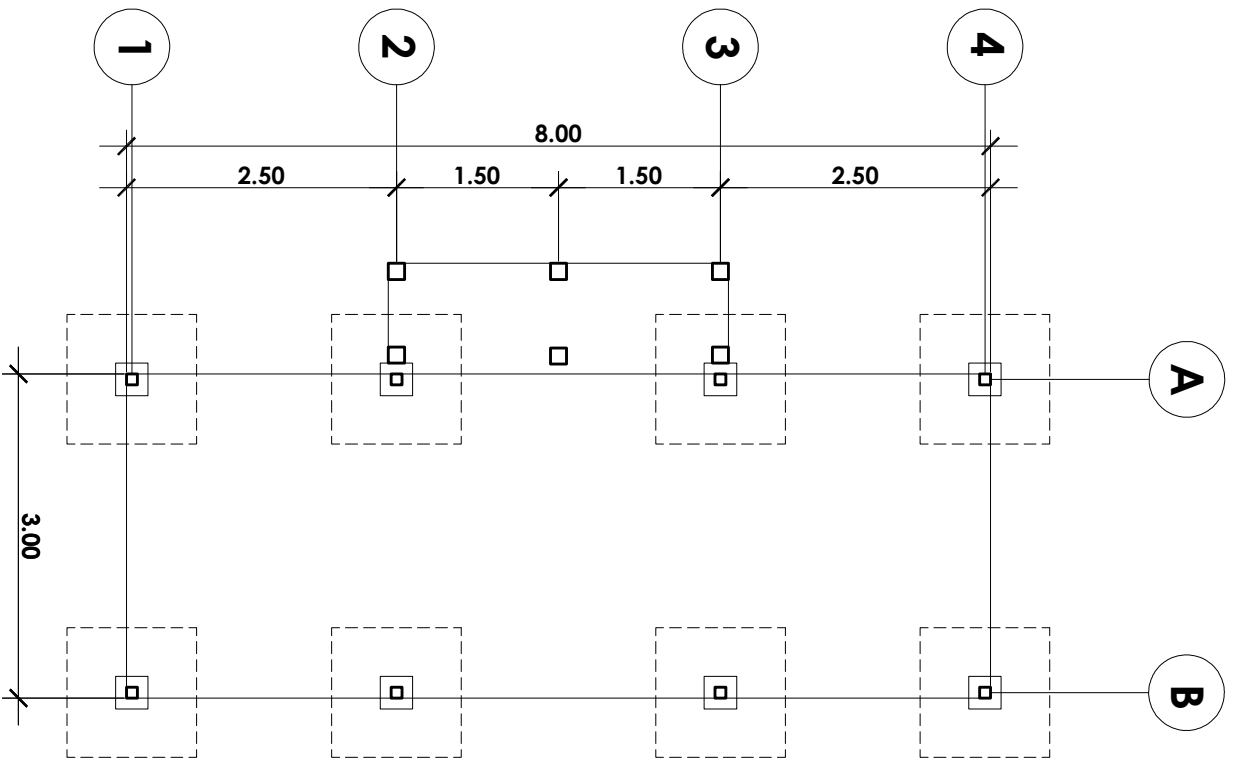
SCALE: 1:70 METERS

PREPARED BY:
A.F. BELENA

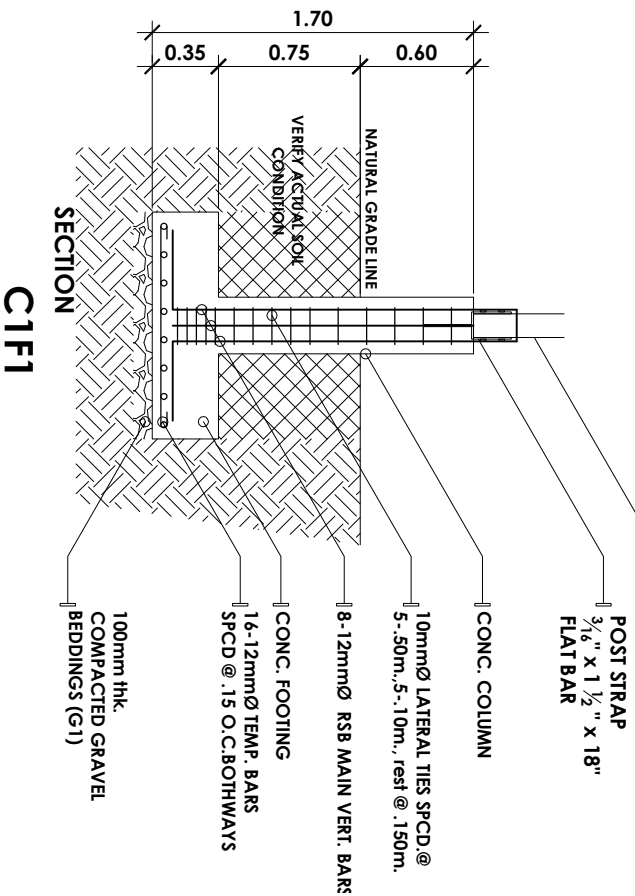
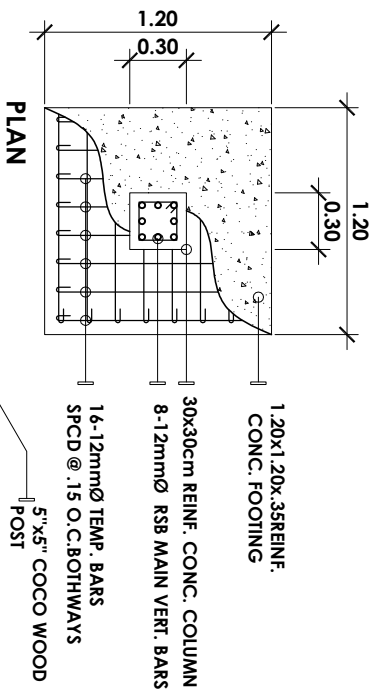
APPROVED BY:

SHEET CONTENTS
AS INDICATED

A



A FOUNDATION PLAN
SCALE 1:70 METERS



A FOUNDATION PLAN
SCALE 1:70 METERS